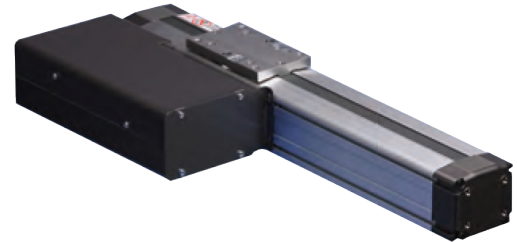


NSK-RS Linear Table



FEATURES

- **Motorless Design**
- **Stroke Length: 100-500mm**
- **Ball Screw Lead: 10mm**
- **Payload up to 20kg**
- **Backlash: 0.020mm**
- **Left or Right Motor Mount Options**
- **NEMA and Metric Motor Compatible**
- **Fully Covered Aluminum Casing with Belts to Eliminate Contaminates**
- **Optional Limit Sensor, Module Mounting Plates, and Motor Mounting Kits**

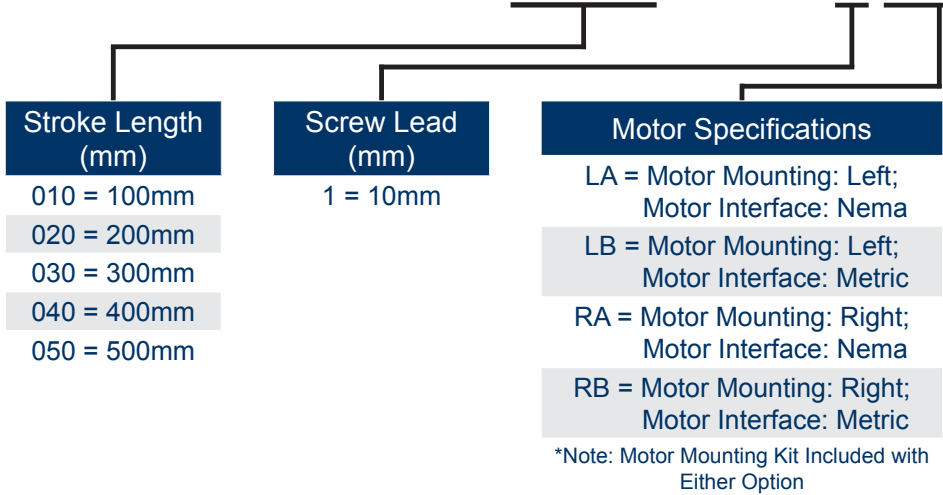


DESCRIPTION

Anaheim Automation offers a line of top-quality linear tables, supplied by one of the industry's leading manufacturers, NSK. These linear tables offer high precision, unsurpassed performance, and maintenance-free operation for as long as 5 years or 50,000km. The NSK-RS Linear Table series is offered stroke lengths up to 500mm, ball screw lead of 10mm, payloads up to 20kg, and left or right motor mount options. Optional sensor kits and module mounting plates are available as customization options. Motor mounting kits are pre-installed with either a NEMA 23 or Metric Motor Interface. Anaheim Automation is happy to assist in the selection, installation, and troubleshooting of these linear tables; contact one of our Applications Engineers for information.

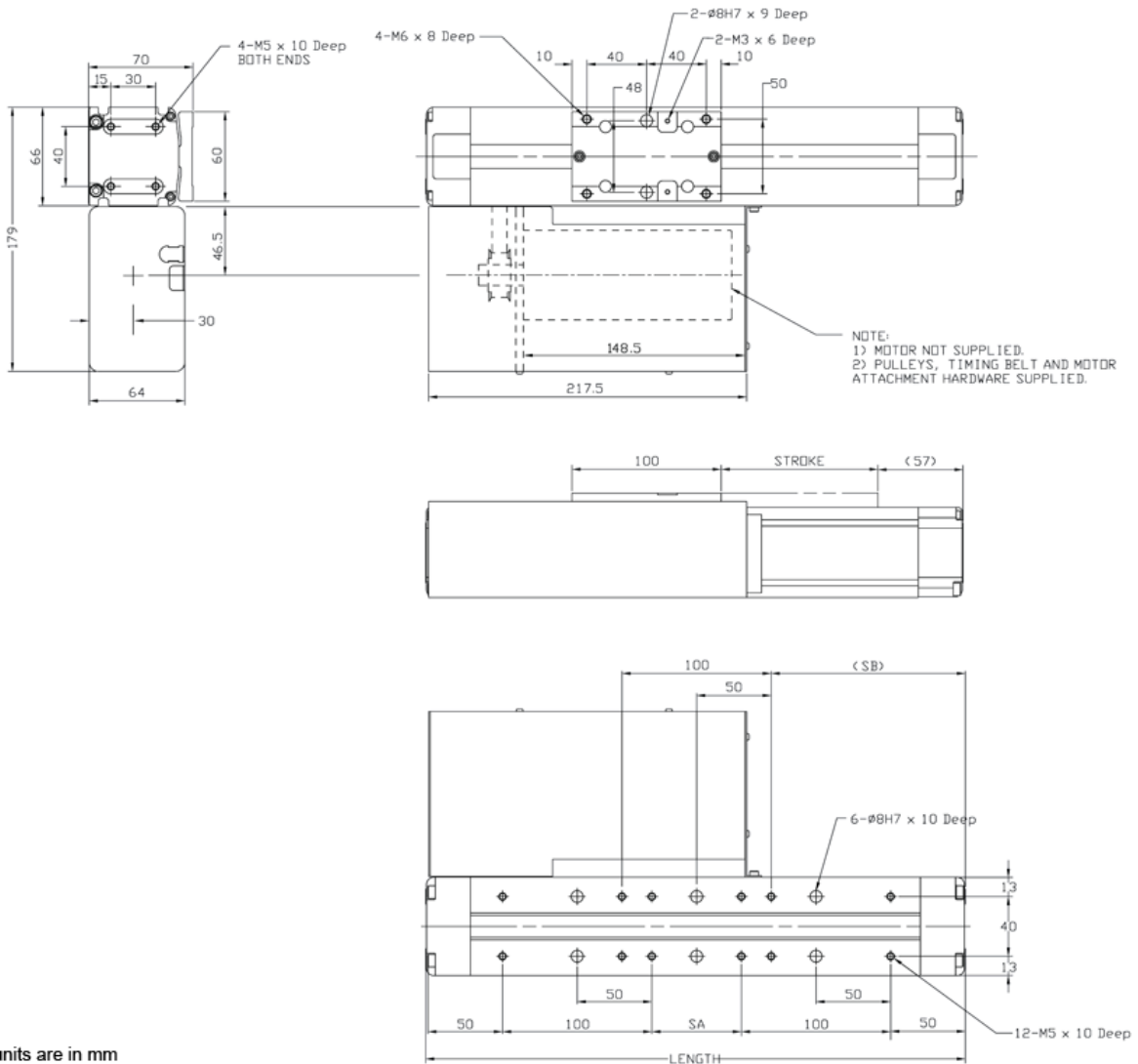
ORDERING INFORMATION

NSK-XY-HRS010-RS1LAF



L011134

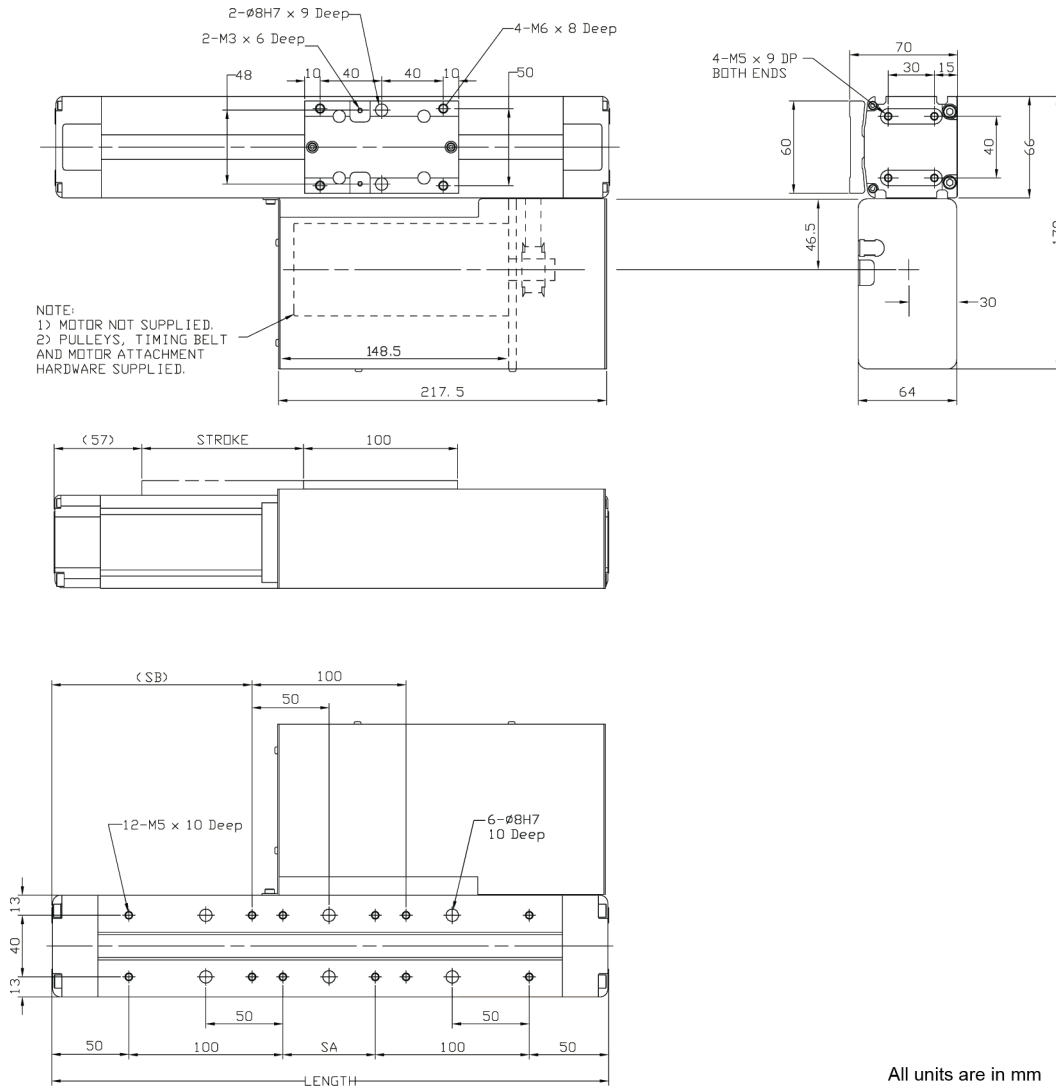
Left Module													
Reference Number	Nominal Stroke, (mm)	Stroke Limit +/- (2mm)	Ballscrew Lead (mm)	L (mm)	SA (mm)	SB (mm)	Speed Max (mm/s)	Inertia (kg-m)	Break-away Torque (N-m)	Mass (Kg)	Payload, (kg)		Backlash (mm)
											Horiz.	Vert.	
NSK-XY-HRS010-RS1L*F	100	110	10	360	60	130	972	1.58E-05	0.07	4.9	20	20	0.02
NSK-XY-HRS020-RS1L*F	200	210		460	160	180	972	1.74E-05		5.5	20	20	
NSK-XY-HRS030-RS1L*F	300	310		560	260	230	972	1.90E-05		6.2	20	20	
NSK-XY-HRS040-RS1L*F	400	410		660	360	280	972	2.06E-05		6.8	20	20	
NSK-XY-HRS050-RS1L*F	500	510		760	460	330	725	2.22E-05		7.5	20	20	



All units are in mm

Linear Guide Moment Capacities (Nm)		
Rolling Moment	Pitching Moment	Yawing Moment
32	24	24

Left Module													
Reference Number	Nominal Stroke, (mm)	Stroke Limit +/- (2mm)	Ballscrew Lead (mm)	L (mm)	SA (mm)	SB (mm)	Speed Max (mm/s)	Inertia (kg-m)	Break-away Torque (N-m)	Mass (Kg)	Payload, (kg)		Backlash (mm)
											Horiz.	Vert.	
NSK-XY-HRS010-RS1L*F	100	110	10	360	60	130	972	1.58E-05	0.07	4.9	20	20	0.02
NSK-XY-HRS020-RS1L*F	200	210		460	160	180	972	1.74E-05		5.5	20	20	
NSK-XY-HRS030-RS1L*F	300	310		560	260	230	972	1.90E-05		6.2	20	20	
NSK-XY-HRS040-RS1L*F	400	410		660	360	280	972	2.06E-05		6.8	20	20	
NSK-XY-HRS050-RS1L*F	500	510		760	460	330	725	2.22E-05		7.5	20	20	



All units are in mm

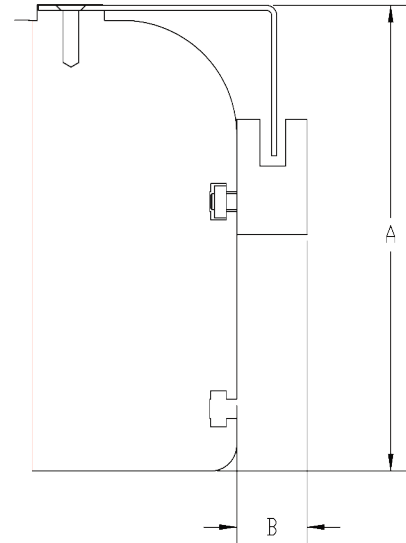
Linear Guide Moment Capacities (Nm)		
Rolling Moment	Pitching Moment	Yawing Moment
32	24	24



Limit Sensor Kit:

RS Module: NSK-XY-L3544RM

- Qty 1 - Module Limit Sensor Flag (S or M)
- Qty 3 - Limit Sensor (Omron EE-SX672A)
- Qty 3 - Limit Sensor Cable with Connector, 2m long (Omron EE-1010-R2M)
- Qty 3 - Limit Sensor T-Slot
- Qty 6 - M3 x 8 Socket Head Cap Screw
- Qty 1 - M3 x 6 Flat Head Screw



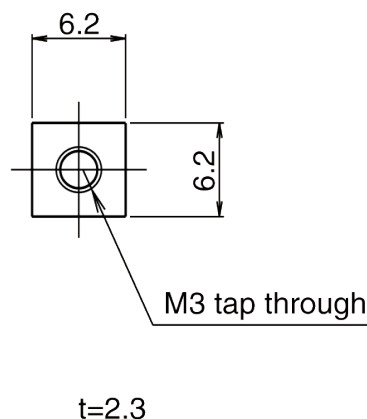
MODULE CROSS SECTION

	Dimension A	Dimension B
RS MODULE	70mm	14mm

Square Nut:

NSK-XY-P170M3-1

- This nut is used to secure accessories to the side of the module
- Nuts are supplied in sets of 4





Note: The RS Module comes pre-installed with a Metric or NEMA motor mount based on Motor Specifications. See Ordering Information Section.

NSK-XY-P5584RM - 60mm Frame Metric Motor Mounting Kit

- 60mm Frame Metric Motor Plate
- 60mm Frame Metric Motor Mounting Nut Plate
- Motor Shaft Pulley, 14mm ID
- Timing Belt
- Qty 4, M5 x 14 Socket Head Cap Screw

NSK-XY-P5585RM - NEMA 23 Motor Mounting Kit

- NEMA 23 Motor Plate
- NEMA 23 Motor Mounting Nut Plate
- Motor Shaft Pulley, 1/4" ID, 3/8" ID
- Timing Belt
- Qty 4, M4 x 14 Socket Head Cap Screw